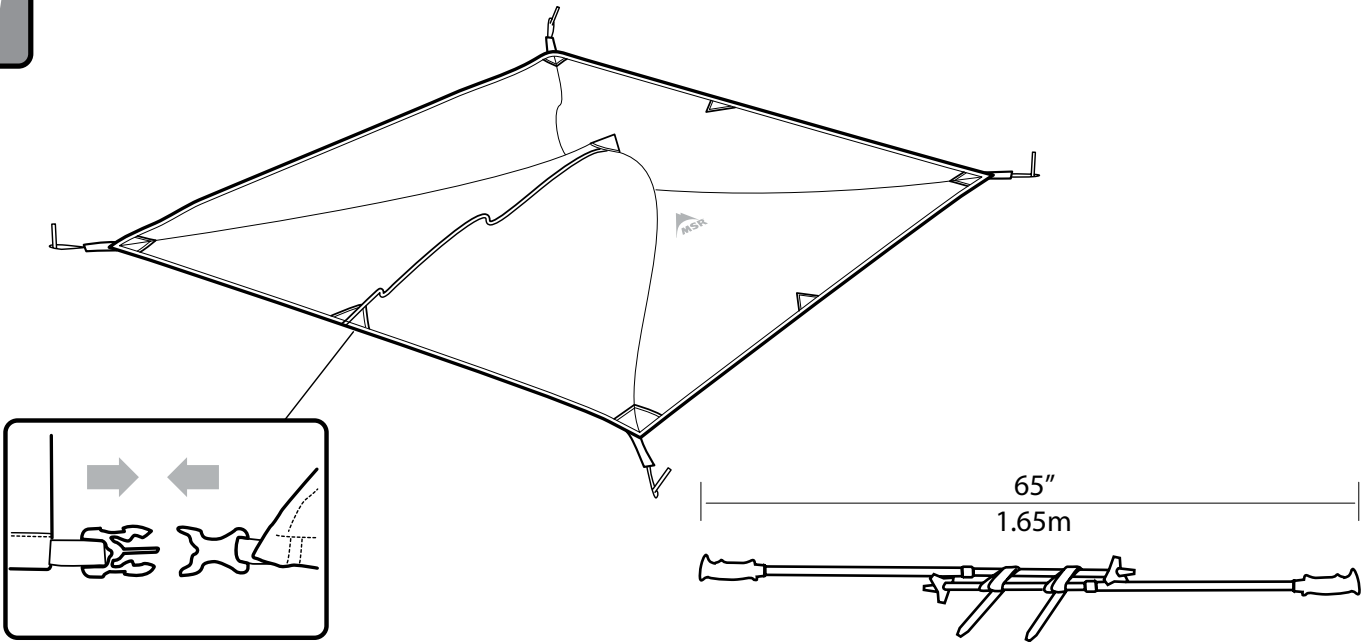




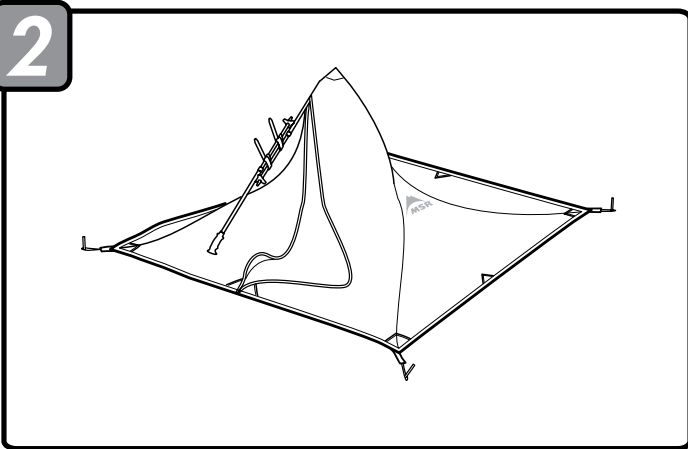
FRONT RANGE™ TARP SHELTER

Assembly Instructions | Instructions de montage

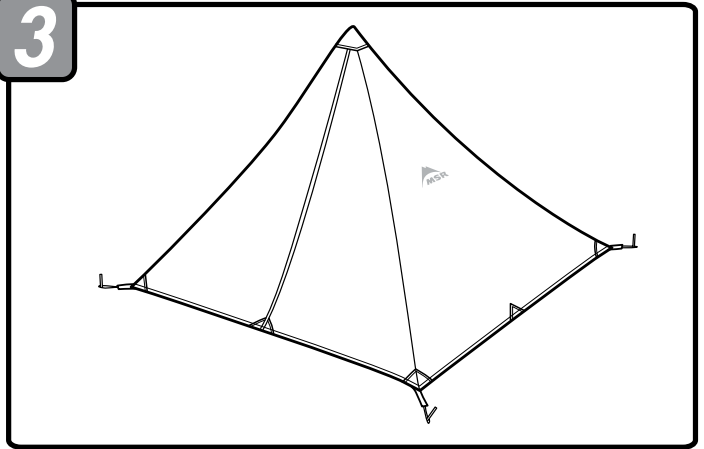
7



2



3



MOUNTAIN SAFETY RESEARCH®

© 2020 Cascade Designs, Inc.
4000 First Avenue South
Seattle, WA 98134 USA
1-800-531-9531 | 1-206-505-9500